

Diaphragm Valves PN10/145PSI

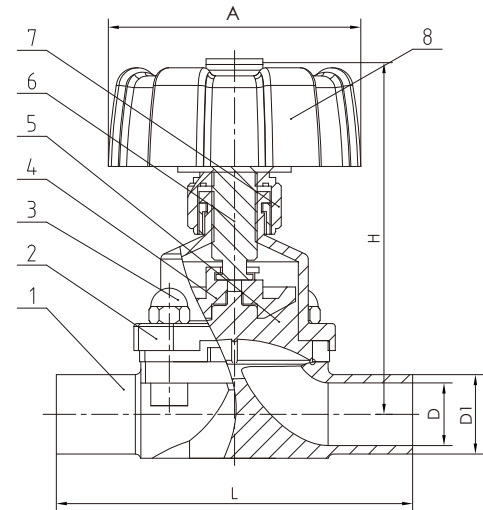
Welded, Plastic Handwheel
Sealing Material Comply to FDA 177.1210/2600
Dimensions to DIN11850, 3A
Temperature Range: -20°C~150°C/-4°F~302°F



DV5633-W

Materials		
No.	Part	Specification
1	Body	ANSI 316L
2	Bonnet	ANSI 304/316L
3	Bonnet Nut	ANSI 304
4	Disc	ANSI 304/316L
5	Diaphragm	EPDM, EPDM+PTFE
6	Stem	ANSI 304
7	Opening Position Indicator	PA-6
8	Handwheel	PA-6

- * Single or double diaphragms are available.
- T-bodies, tank bottom bodies or multi-channel bodies can be selected on your request.



Dimensions (DIN/3A)					
Size/In	D DIN/3A	D1 DIN/3A	L DIN/3A	A DIN/3A	H
3/8	9/7.75	12/9.53	108	65	103
1/2	15/9.4	18/12.7	117/108	65	103
3/4	19/15.8	22/19.1	117	90/65	103
1	25/22.1	28/25.4	127	100/90	122
1 1/4	31/28.5	34/31.8	146	110	160
1 1/2	37/34.8	40/38.1	160	110	160
2	49/47.5	52/50.8	190	125	190
2 1/2	66/60.2	70/63.5	216	125	228
3	81/72.9	85/76.2	254	180	245

♦Please consult the factory for ISO and other standard sizes such as ASME BPE, BS4825, etc.